

# STAX

Wire modules in order as shown on the diagram

Maximum Amperage per circuit: 16 Amps @120V

STAX Boost Power Continuation Cable found in (Yellow Labeled bag). Required after the first 12 modules per display face.

STAX Controller Cable Kit found in (Red Labeled bag). One cable kit per display face. Includes one Primary Controller Power Cable and one 1st Module Data Cable

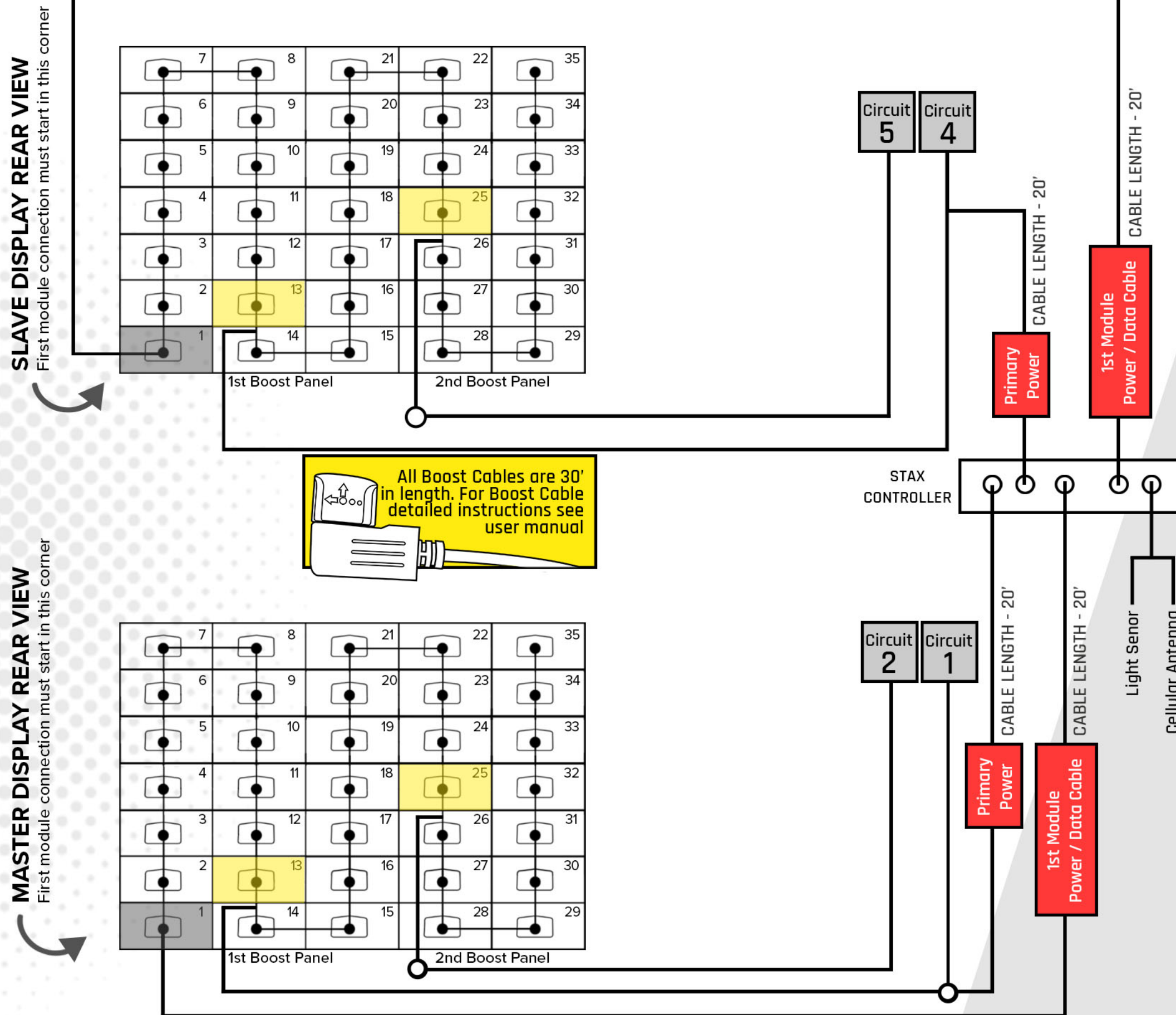
Multiple circuits can be connected together and share a breaker. Multiple circuits may share the same neutrals. Please follow your local NEC Codes

Master Display

Circuit	Max Watts	Avg Watts	Amps @120V
1	3888	1896	15.8
2	1782	869	7.24
3			
Total	5670	2765	23.0

Slave Display

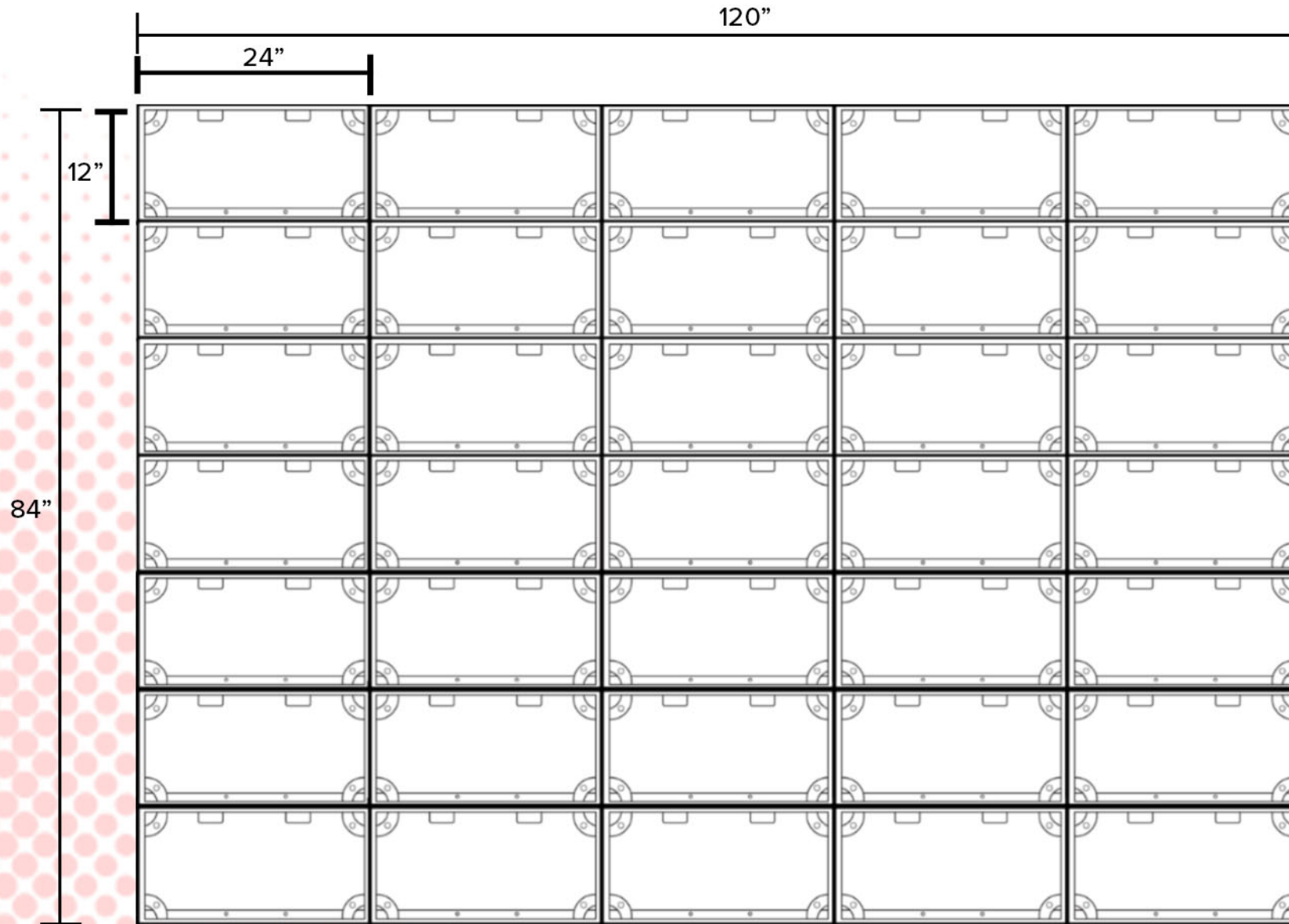
Circuit	Max Watts	Avg Watts	Amps @120V
4	3888	1896	15.8
5	1782	869	7.24
6			
Total	5670	2765	23.0



**SLAVE DISPLAY REAR VIEW**  
First module connection must start in this corner

**MASTER DISPLAY REAR VIEW**  
First module connection must start in this corner

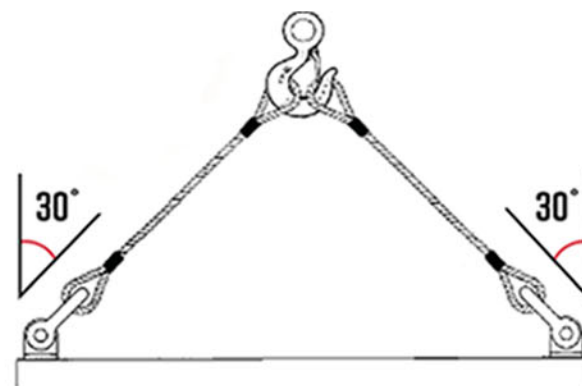
Must lift final assembled sign with a minimum of two lifting points. 330 maximum lbs per lifting pin.



**MASTER DISPLAY REAR VIEW**

### SHACKLE ATTACHMENT

The shackle cables should connect to the lifting pins at an angle of 30 degrees or less to prevent damage to the cabinet frame. Spreader bar should be used when three or more lifting pins are required per face.



Parts List	Single Face	Double Face
Module	35	70
Controller	1	1
Controller Cable Kit	1	2
Boost Power Cable	2	4

AND

Option 1: Single Frame Assembly	Single Face	Double Face
1' x 2' Frame	35	70
1' x 2' Frame Door (Optional)	35	70

OR

Option 2: Mixed Frame Assembly	Single Face	Double Face
1' x 2' Frame	11	22
1' x 2' Frame Door (Optional)	11	22
2' x 4' Frame	6	12
2' x 4' Frame Door (Optional)	12	24

Display Weight	Maximum lbs	Maximum lbs per lifting pin	Number of Pins Per Face
Single Face	590.1	330	2
Double Face	1180.2	N/A	N/A



# CAUTION